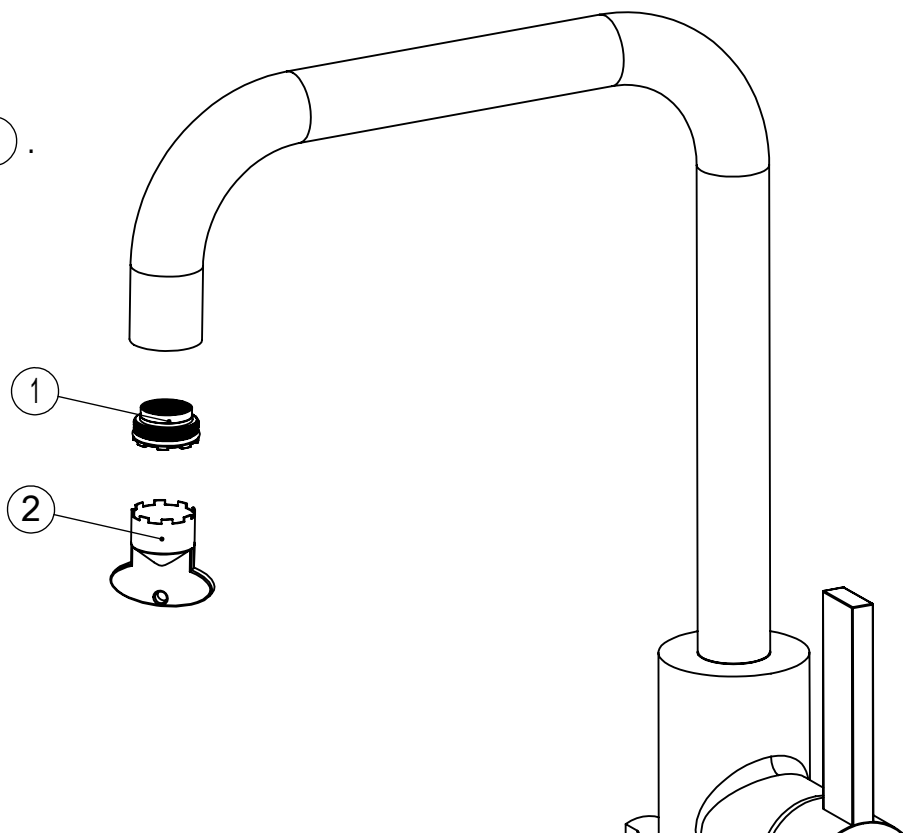


Exploded view

1. Use Aerator key (2) counter clockwise, to remove existing Aerator (1).



2. Screw the threaded connector (3) clockwise onto ZDOC099 (5) and make sure the rubber ring (4) is tightened in between.

3. Screw (3), (4), (5) as a whole, clockwise onto the spout of the kitchen faucet.

