

Server Error in '/' Application.

Runtime Error

Description: An application error occurred on the server. The current custom error settings for this application prevent the details of the application error from being viewed.

Details: To enable the details of this specific error message to be viewable on the local server machine, please create a <customErrors> tag within a "web.config" configuration file located in the root directory of the current web application. This <customErrors> tag should then have its "mode" attribute set to "RemoteOnly". To enable the details to be viewable on remote machines, please set "mode" to "Off".

```
<!-- Web.Config Configuration File
-->

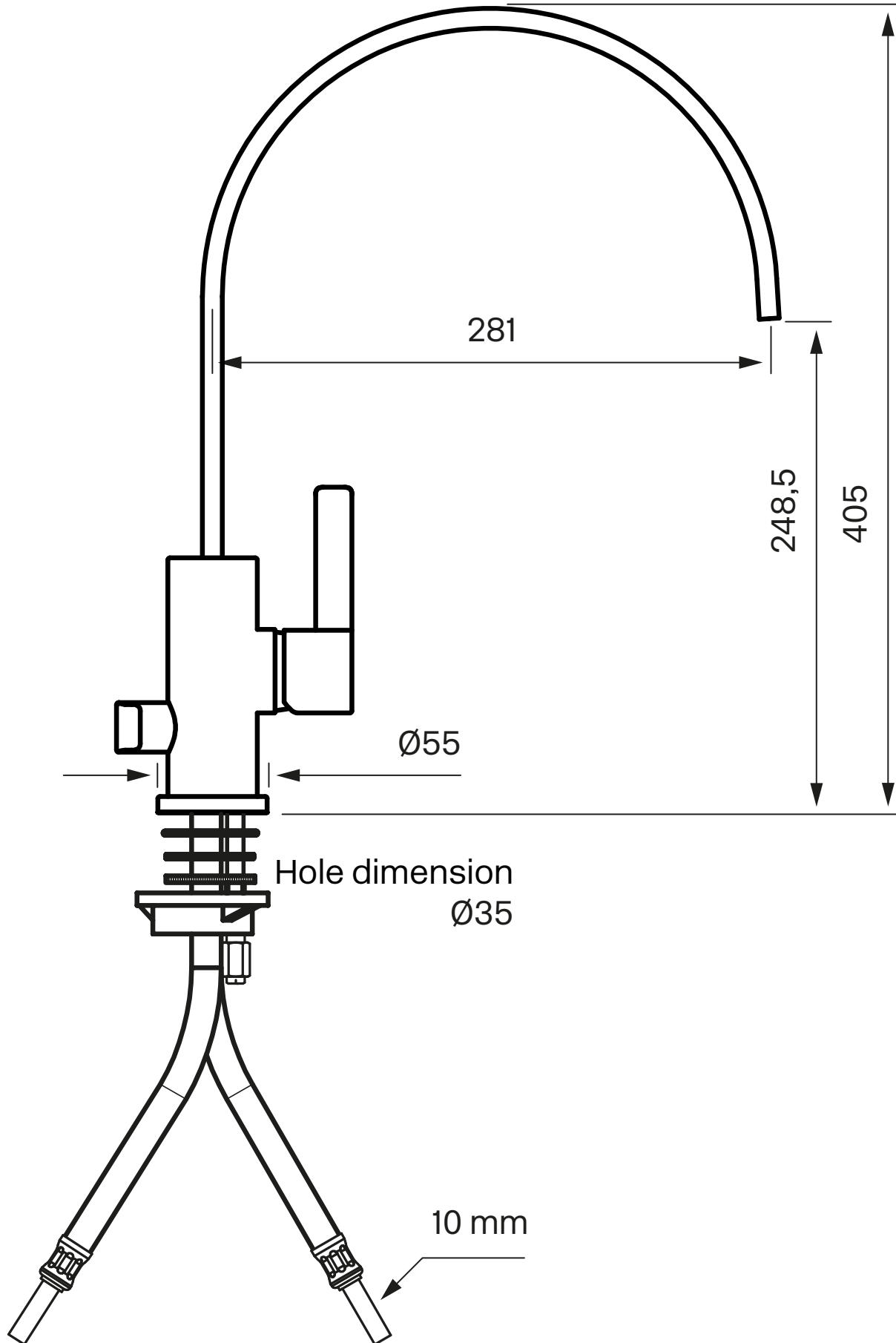
<configuration>
  <system.web>
    <customErrors
mode="RemoteOnly"/>
  </system.web>
</configuration>
```

Notes: The current error page you are seeing can be replaced by a custom error page by modifying the "defaultRedirect" attribute of the application's <customErrors> configuration tag to point to a custom error page URL.

```
<!-- Web.Config Configuration File
-->

<configuration>
  <system.web>
    <customErrors mode="On"
defaultRedirect="mycustompage.htm"/
>
  </system.web>
</configuration>
```

Tapwell



Tapwell

Pressure Drop

